

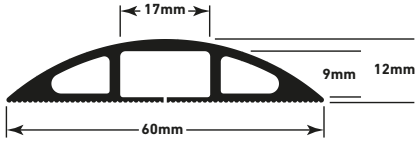
Light Duty Floor Cable Protectors are popular as a temporary solution to cover cables across open areas with light foot traffic.

The 17 x 9mm cavity can accommodate 2x 8mm outer diameter flex cables.

- Ideal for areas with light foot traffic
- Address a common cause of trips, tugs and falls
- Can protect up to 2x 8mm diameter cables
- Ribbed non-slip base, pre-split rear for ease of use
- Flexible PVC - Supplied coiled; simply uncoil to lay flat
- Fully safety tested and certified to BS EN 60670-1:2005



Produced from flexible PVC	Flexible to uncoil and lay flat, no adhesive tapes required Abrasion resistant
Popular usage	To protect cords across floors, and eliminate trip hazards For health & safety Ideal for areas with light or regular foot traffic
UV stabilised	Yes
Cavity size	17mm (W) x 9mm (H) Can fit up to 2x 8mm popular flex type cables
Dimensions	60mm Width - Available as 1.8m or 9m length
Weight	1.8m = 0.76kg (boxed) 9m = 3.50kg (boxed)
Quality approvals	Fully safety tested and certified to BS EN 60670-1:2005 PART 1
Available colours	Black
Packaging	Usually supplied coiled in polythene bag or cardboard box
Recyclability	Yes



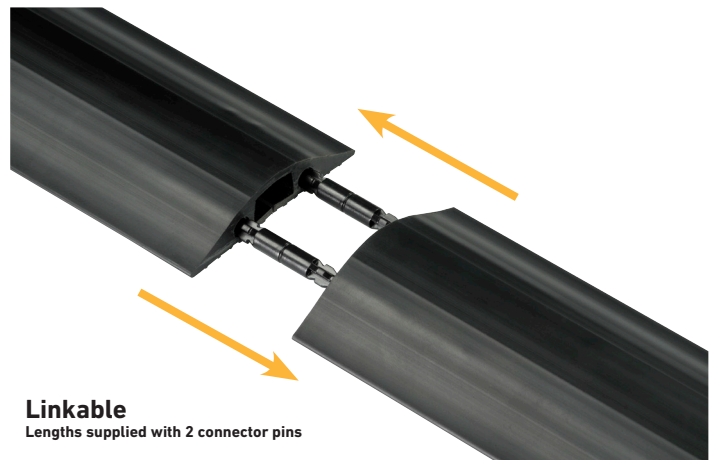
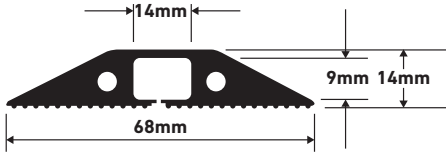
Light Duty Floor Cable Protectors are popular as a temporary solution to cover cables across open areas with light foot traffic.

The 17 x 9mm cavity can accommodate 2x 8mm outer diameter flex cables.

- Ideal for areas with light foot traffic
- Address a common cause of trips, tugs and falls
- Can protect up to 2x 8mm diameter cables
- Ribbed non-slip base, pre-split rear for ease of use
- Flexible PVC - Supplied coiled; simply uncoil to lay flat
- Fully safety tested and certified to BS EN 60670-1:2005



Produced from flexible PVC	Flexible to uncoil and lay flat, no adhesive tapes required Abrasion resistant
Popular usage	To protect cords across floors, and eliminate trip hazards For health & safety Ideal for areas with light or regular foot traffic
UV stabilised	Yes
Cavity size	17mm (W) x 9mm (H) Can fit up to 2x 8mm popular flex type cables
Dimensions	60mm Width - Available as 1.8m or 9m length
Weight	1.8m = 0.76kg (boxed) 9m = 3.50kg (boxed)
Quality approvals	Fully safety tested and certified to BS EN 60670-1:2005 PART 1
Available colours	Grey
Packaging	Usually supplied coiled in polythene bag or cardboard box
Recyclability	Yes



The heavier gauge design of Medium Duty Floor Cable Protectors addresses cable trip hazards... while providing effective protection for cables.

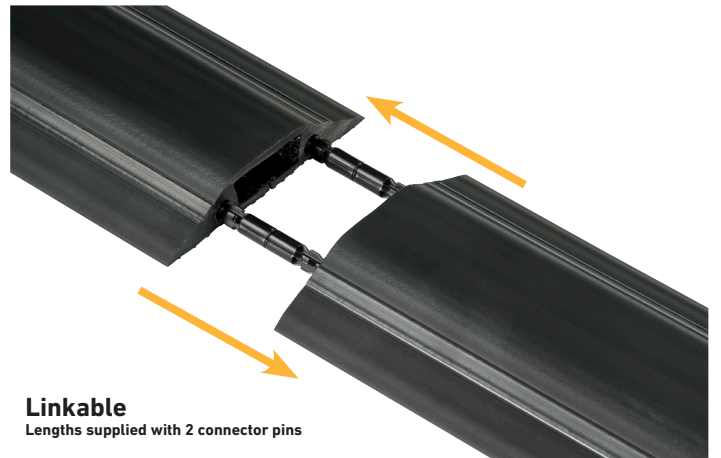
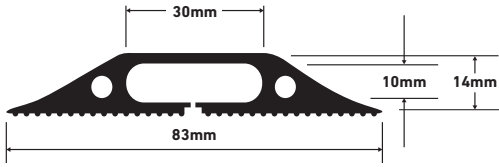
By minimising the risk of split insulation and damaged conductor strands, the danger of electrocution and hot spots (that create fire risks) is minimised also.

Lengths are available as 1.8m or 9m options, and supplied with friction-fit connector pins so that they can be joined to make continuous runs when necessary.

- Ideal for areas with regular foot traffic
- Protect cables, and address a common cause of trips and falls
- 14mm x 9mm cavity
- Ribbed non-slip base, pre-split rear for ease of use
- Flexible PVC - Neat tapered design, lengths uncoil to lay flat
- Fully safety tested and certified to BS EN 60670-1:2005



Produced from flexible PVC	Flexible to uncoil and lay flat, no adhesive tapes required Abrasion resistant
Popular usage	To protect cords across floors, and eliminate trip hazards For health & safety Ideal for areas with regular foot traffic
UV stabilised	Yes
Cavity size	14mm (W) x 9mm (H) for up to 2x 8mm (outer diameter) cables
Dimensions	68mm Width - Available as 1.8m or 9m length
Weight	1.8m = 1.3kg (boxed) 9m = 6kg (boxed)
Quality approvals	Fully safety tested and certified to BS EN 60670-1:2005 PART 1
Available colours	Black
Supplied with 2 connector rods	To push-in, pull apart Length 10cm Ribbed for friction fit To make longer lengths PVC, can bend & flex
Packaging	Usually supplied coiled in polythene bag or cardboard box
Recyclability	Yes



The heavier gauge design of Medium Duty Floor Cable Protectors addresses cable trip hazards... while providing effective protection for cables.

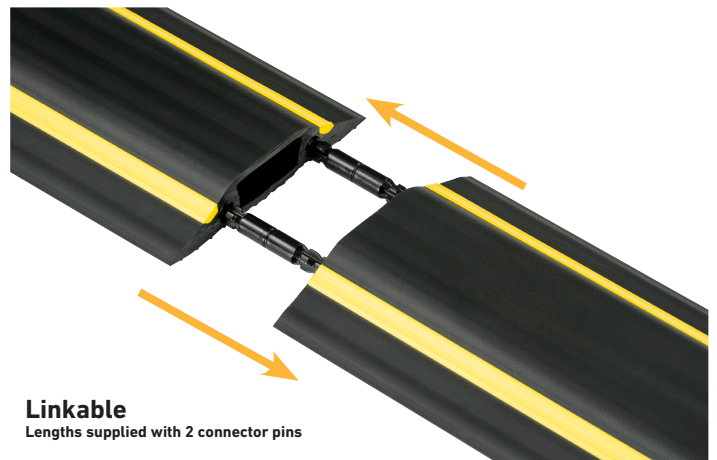
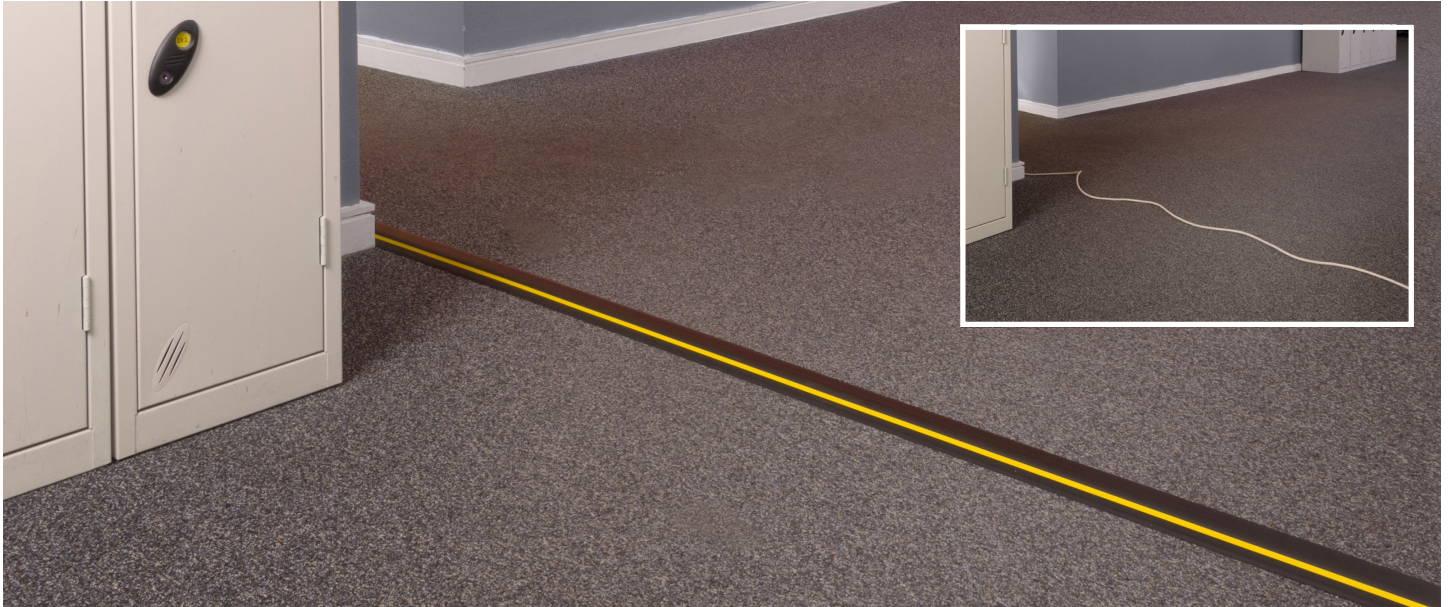
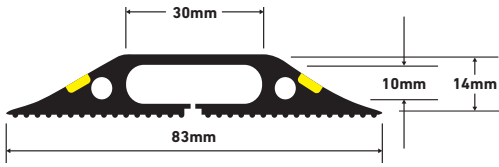
The pre-split back enables users to simply retro-fit the profile over the cables. Features combine so that cables can be contained within the cavity, with minimal risk of movement.

The unique connector pins provide an effective friction-fit connection that can be pushed-in, then later pulled apart, in adjoining lengths – to cover whatever length of cable is required.

- Ideal for areas with regular foot traffic
- Protect cables, and address a common cause of trips and falls
- 30mm x 10mm cavity
- Ribbed non-slip base, pre-split rear for ease of use
- Flexible PVC - Neat tapered design, lengths uncoil to lay flat
- Fully safety tested and certified to BS EN 60670-1:2005

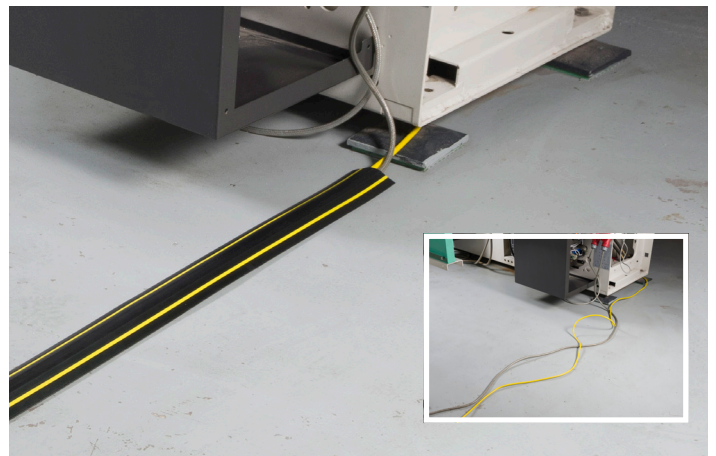


Produced from flexible PVC	Flexible to uncoil and lay flat, no adhesive tapes required Abrasion resistant
Popular usage	To protect cords across floors, and eliminate trip hazards For health & safety Ideal for areas with regular foot traffic
UV stabilised	Yes
Cavity size	30mm (W) x 10mm (H) for up to 3x 8mm (outer diameter) cables
Dimensions	83mm Width - Available as 1.8m or 9m length
Weight	1.8m = 1.3kg (boxed) 9m = 6.5kg (boxed)
Quality approvals	Fully safety tested and certified to BS EN 60670-1:2005 PART 1
Available colours	Black
Supplied with 2 connector rods	To push-in, pull apart Length 10cm Ribbed for friction fit To make longer lengths PVC, can bend & flex
Packaging	Usually supplied coiled in polythene bag or cardboard box
Recyclability	Yes

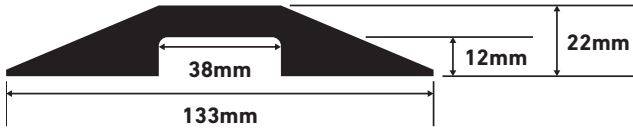


Ideal for up to 3x 8mm diameter cables, this versatile Cable Protector is supplied with connector pins so it can be cut to shorten, then reconnected or combined with other lengths to make longer runs.

- Ideal for areas with regular foot traffic
- Protect cables, and address a common cause of trips and falls
- Prevent cable insulation damage/electrocution and risk of broken conductor strands
- 30mm x 10mm cavity
- Ribbed non-slip base, pre-split rear for ease of use
- Flexible PVC - Neat tapered design, lengths uncoil to lay flat
- No sharp kerb-effect, pedestrian friendly
- Fully safety tested and certified to BS EN 60670-1:2005



Produced from flexible PVC	Flexible to uncoil and lay flat, no adhesive tapes required Abrasion resistant
Popular usage	To protect cords across floors, and eliminate trip hazards For health & safety Ideal for areas with regular foot traffic
UV stabilised	Yes
Cavity size	30m (W) x10mm (H) for up to 3x 8mm (outer diameter) cables
Dimensions	83mm Width - Available as 1.8m or 9m length
Weight	1.8m = 1.4kg (boxed) 9m = 6.5kg (boxed)
Quality approvals	Fully safety tested and certified to BS EN 60670-1:2005 PART 1
Available colours	Black, with yellow hazard stripes
Supplied with 2 connector rods	To push-in, pull apart Length 10cm Ribbed for friction fit To make longer lengths PVC, can bend & flex
Packaging	Usually supplied coiled in polythene bag or cardboard box
Recyclability	Yes



D-Line rigid Cable Protector lengths each have a simple and effective locking mechanism, so runs can be made in any length required.

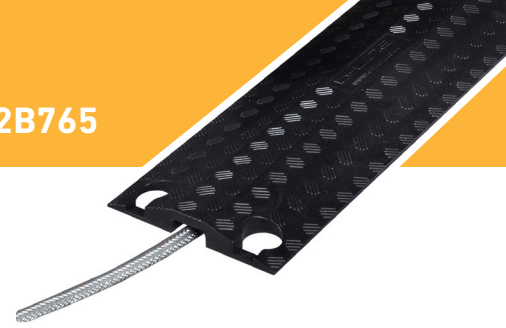
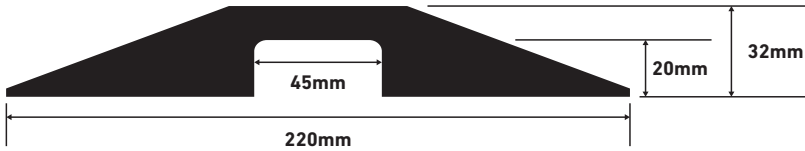
The extremely durable polyurethane profiles simply drop over cables up to 12mm outer diameter.

The anti-slip treads and tapered sides are pedestrian friendly, while the strength of these profiles can accept the heaviest vehicular loads permissible on UK roads.

- Made from high-grade polyurethane, extremely robust
- Join by interlocking male:female connectors
- Tapered design & non-slip treads for pedestrian traffic
- Can accept up to 11.5T Axle Weight i.e. all vehicular traffic
- Durability gives exceptional value
- Fully safety tested and certified to BS7671:2008



Produced from high-grade polyurethane	Extremely durable & robust Can accept up to 11.5T Axle Weight Join more than one length to cover longer cable
Popular usage	Protect cables from vehicular traffic For health & safety Join more than one length to cover longer cables
UV stabilised	Yes
Cavity size	38mm (W) x 12mm (H) for cables up to 12mm (outer diameter)
Dimensions	(L) 765mm x (W) 133mm x (H) 22mm
Weight	1.12kg (boxed)
Available colours	Black
Packaging	Usually cardboard box



The larger D-Line drop over rigid Cable Protectors can accommodate cables or hoses up to 20mm diameter. Each length has a simple and effective locking mechanism, so runs can be made in any length required.

Anti-slip treads and tapered sides are pedestrian friendly, while the strength of these profiles can accept the heaviest vehicular loads permissible on UK roads.

- Made from high-grade polyurethane, extremely robust
- Join by interlocking male:female connectors
- Tapered design & non-slip treads for pedestrian traffic
- Can accept up to 11.5T Axle Weight i.e. all vehicular traffic
- Durability gives exceptional value
- Fully safety tested and certified to BS7671:2008



Produced from high-grade polyurethane	Extremely durable & robust Can accept up to 11.5T Axle Weight Join more than one length to cover longer cable
Popular usage	Protect cables from vehicular traffic For health & safety Join more than one length to cover longer cables
UV stabilised	Yes
Cavity size	45mm (W) x 20mm (H) for cables up to 19.5mm (outer diameter)
Dimensions	(L) 765mm x (W) 220mm x (H) 32mm
Weight	2.52kg (boxed)
Available colours	Black
Packaging	Usually cardboard box