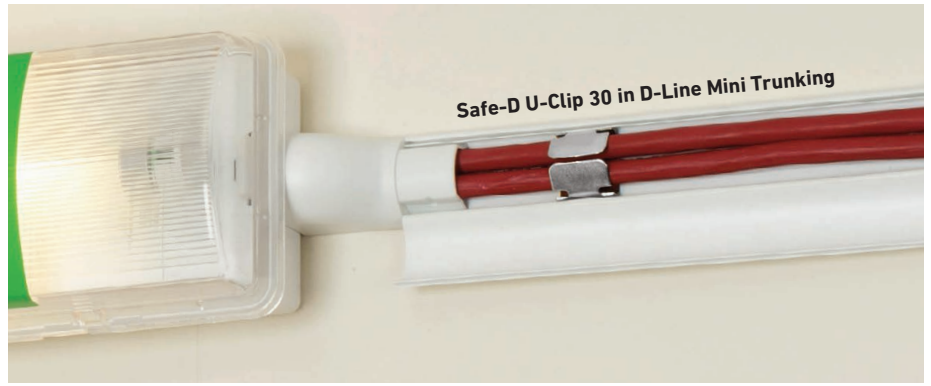




Safe-D U-Clip 30 For 25mm+ Trunkings



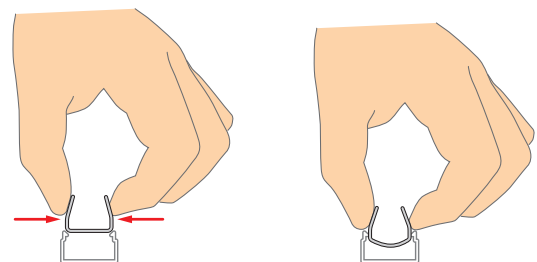
Suitable for direct to surface fitting

Safe-D U-Clip 30 fits perfectly in 30 x 15mm D-Line Mini Trunking, while the 23mm base can be squeezed to fit 25 x 16mm traditional trunking also.

Alternatively Safe-D U-Clip 30's can be fixed directly to surfaces, with user-friendly and pliable tabs that simply fold inwards to secure cables.

1st fix clips, then 2nd fix cables!

- Certified for 2 hours at 970°C
- Compliant with BS7671 and BS5839-1 requirements
- Thumb friendly, easy fold side-tabs
- Non-corrosive coating
- Ideal for ceiling voids, or popular PVC trunking
- Rounded edges for easy handling



When inserting U-Clip 30 in 25x16mm trunkings, gently squeezing the upright tabs causes the base to compress for tight fitment in Size 2 trunkings.

Code	Description
SAFE-D30	(L) 20mm x (W) 23mm x (H) 8mm (folded) 5.7mm diameter pre-drilled hole in base

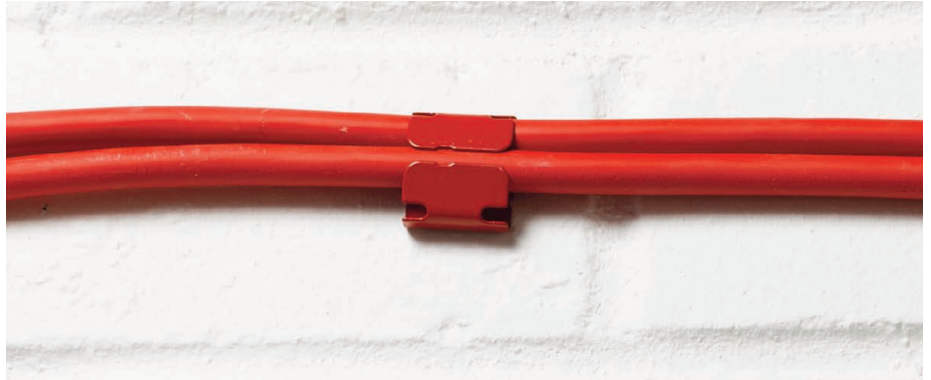
Safe-D U-Clip 30 For 25mm+ Trunkings

Product Specification

Produced from high temperature steel	<ul style="list-style-type: none">• Can withstand temperatures of up to 970°C for 2 hours• Safe-D Clips maintain strength after bending of side-tabs
U-shaped design	<ul style="list-style-type: none">• Easy to handle• Side-tabs fold-over to secure cables
Fold over rounded tabs	<ul style="list-style-type: none">• 20mm wide side-tabs & pliable gauge combine for quick and easy folding• Smooth & rounded edges, as required by design code BS7671 s522.8.11, to protect soft-skin cables etc (and user friendly!)
Pre-drilled hole in base (5.7mm diameter)	<ul style="list-style-type: none">• Accepts shot-fire or screw-fixed steel fixings (Select suitable fixing type according to substrate)
Fully tested & certified	<ul style="list-style-type: none">• Complies with requirements of BS5839 part 1 (2002 section 26.2d); BSEN50200:2000; & BS8434-1:2003
Weight	<ul style="list-style-type: none">• 3.9g Each 0.38kg Pack of 100



Safe-D Red U-Clip 30



Suitable for direct to surface fitting

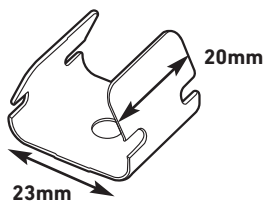
Safe-D Red U-Clip 30 can be fitted directly to surfaces, with tabs that simply fold-over to secure cables.

The red finish makes a popular solution for containing red-sheathed fire performance cables direct to surface.

The 23mm width is ideal for popular 2x MICC or FP-cable combinations.

1st fix clips, then 2nd fix cables!

- Certified for 2 hours at 970°C
- Compliant with BS7671 and BS5839-1 requirements
- Thumb friendly, easy fold side-tabs
- Non-corrosive coating
- Ideal for fixing direct to surface
- Rounded edges for easy handling

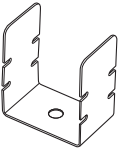


Code	Description
SAFE-D30/RED	(L) 20mm x (W) 23mm x (H) 8mm (folded) 5.7mm diameter pre-drilled hole in base

Safe-D Red U-Clip 30

Product Specification

Produced from high temperature steel	<ul style="list-style-type: none">• Can withstand temperatures of up to 970°C for 2 hours• Safe-D Clips maintain strength after bending of side-tabs
U-shaped design	<ul style="list-style-type: none">• Easy to handle• Side-tabs fold-over to secure cables
Fold over rounded tabs	<ul style="list-style-type: none">• 20mm wide side-tabs & pliable gauge combine for quick and easy folding• Smooth & rounded edges, as required by design code BS7671 s522.8.11, to protect soft-skin cables etc (and user friendly!)
Pre-drilled hole in base (5.7mm diameter)	<ul style="list-style-type: none">• Accepts shot-fire or screw-fixed steel fixings (Select suitable fixing type according to substrate)
Fully tested & certified	<ul style="list-style-type: none">• Complies with requirements of BS5839 part 1 (2002 section 26.2d); BSEN50200:2000; & BS8434-1:2003
Weight	<ul style="list-style-type: none">• 4.1g Each 0.40kg Pack of 100



Safe-D U-Clip 40 For 38mm+ Trunkings



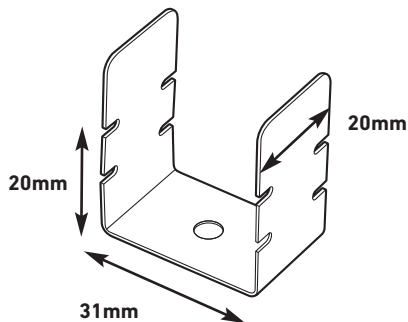
Suitable for direct to surface fitting

Safe-D U-Clip 40 is ideal for fitment in 38mm or 40mm non-metallic trunking bases, or to provide a first-fix solution for securing cables direct to surfaces.

Installers should use a fire-rated fixing, such as D-Line D-Fixings (see page 35), and then simply fold-over tabs to secure cables.

1st fix clips, then 2nd fix cables!

- Certified for 2 hours at 970°C
- Compliant with BS7671 and BS5839-1 requirements
- Thumb friendly, easy fold side-tabs
- Non-corrosive coating
- Ideal for ceiling voids, or popular PVC trunking
- Rounded edges for easy handling



Code

Description

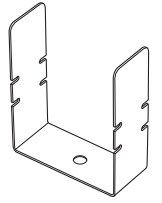
SAFE-D40

(L) 20mm x (W) 31mm x (H) 20mm (folded - max height) 5.7mm diameter pre-drilled hole in base

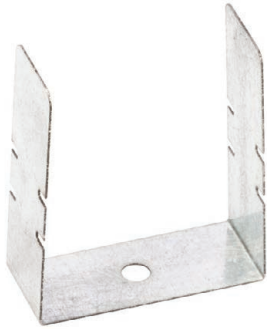
Safe-D U-Clip 40 For 38mm+ Trunkings

Product Specification

Produced from high temperature steel	<ul style="list-style-type: none">• Can withstand temperatures of up to 970°C for 2 hours• Safe-D Clips maintain strength after bending of side-tabs
U-shaped design	<ul style="list-style-type: none">• Easy to handle• Side-tabs fold-over to secure cables
Fold over rounded tabs	<ul style="list-style-type: none">• 20mm wide side-tabs & pliable gauge combine for quick and easy folding• Smooth & rounded edges, as required by design code BS7671 s522.8.11, to protect soft-skin cables etc (and user friendly!)
Pre-drilled hole in base (5.7mm diameter)	<ul style="list-style-type: none">• Accepts shot-fire or screw-fixed steel fixings (Select suitable fixing type according to substrate)
Fully tested & certified	<ul style="list-style-type: none">• Complies with requirements of BS5839 part 1 (2002 section 26.2d); BSEN50200:2000; & BS8434-1:2003
Weight	<ul style="list-style-type: none">• 7.6g Each 0.36kg Pack of 50



Safe-D U-Clip 50 For 50mm+ Trunkings

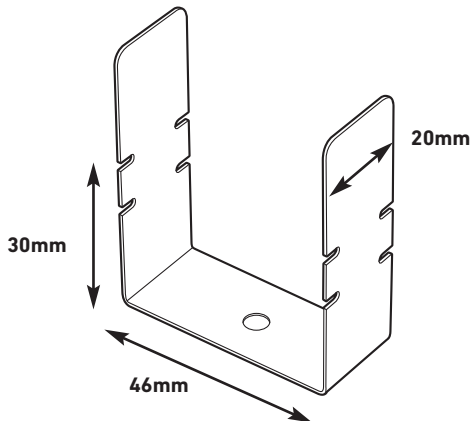


Suitable for direct to surface fitting

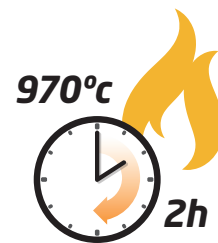
Safe-D U-Clip 50 Clips are popular for fitment in 50mm non-metallic trunking bases, or to provide a first-fix solution for securing cables direct to surfaces.

Installers should use a fire-rated fixing, such as D-Line D-Fixings (see page 35), and then simply fold-over tabs to secure cables.

1st fix clips, then 2nd fix cables!



- Certified for 2 hours at 970°C
- Compliant with BS7671 and BS5839-1 requirements
- Thumb friendly, easy fold side-tabs
- Non-corrosive coating
- Ideal for ceiling voids, or popular PVC trunking
- Rounded edges for easy handling



Code

Description

SAFE-D50

(L) 20mm x (W) 46mm x (H) 30mm (folded - max height) 5.7mm diameter pre-drilled hole in base

Safe-D U-Clip 50 For 50mm+ Trunkings

Product Specification

Produced from high temperature steel	<ul style="list-style-type: none">• Can withstand temperatures of up to 970°C for 2 hours• Safe-D Clips maintain strength after bending of side-tabs
U-shaped design	<ul style="list-style-type: none">• Easy to handle• Side-tabs fold-over to secure cables
Fold over rounded tabs	<ul style="list-style-type: none">• 20mm wide side-tabs & pliable gauge combine for quick and easy folding• Smooth & rounded edges, as required by design code BS7671 s522.8.11, to protect soft-skin cables etc (and user friendly!)
Pre-drilled hole in base (5.7mm diameter)	<ul style="list-style-type: none">• Accepts shot-fire or screw-fixed steel fixings (Select suitable fixing type according to substrate)
Fully tested & certified	<ul style="list-style-type: none">• Complies with requirements of BS5839 part 1 (2002 section 26.2d); BSEN50200:2000; & BS8434-1:2003
Weight	<ul style="list-style-type: none">• 12g Each 0.58kg Pack of 50